

Product # \_\_\_\_\_ Type \_\_\_\_\_ Date \_\_\_\_\_

Project Name \_\_\_\_\_

Project Location \_\_\_\_\_ Prepared By \_\_\_\_\_

# Sirius-CM™ 400

## Features

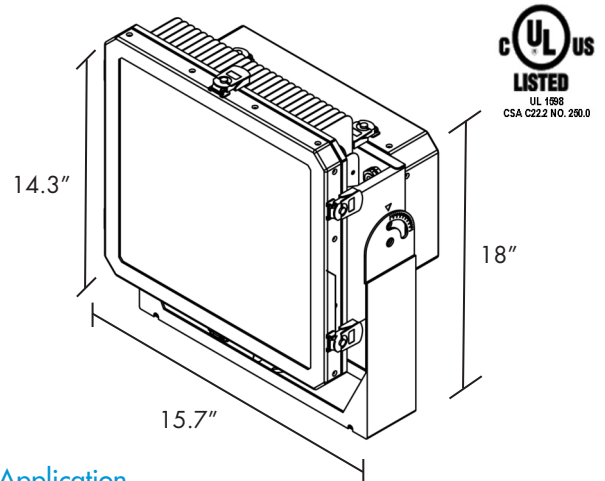
- 80lm/W high efficiency LED flood Light
- CRI ≥ 70
- 50,000 hours, LM80, L70
- No UV or IR.
- Instant on/off
- 32,000 output lumens
- Impact and vibration resistant
- RoHS free

## Construction

- Housing is die-formed made from low-copper 6063 aluminum, heavy duty, structurally rigid and vibration resistant. Housing is finished gray using polyester powder coat. Other optional finishes are available.
- Lens Door Assembly is minimum 1/8" thick tempered glass lens, thermal and impact resistant, sealed with doorframe and housing using extruded, memory retentive silicone gasket. The doorframe is fabricated using low-copper aluminum alloy 5052.
- Heatsink Fins are 0.040" thick made from low copper aluminum 5052 alloy with maximum contact with the housing for maximum heat dissipating surface area for the efficient cooler operation.

## Optical System

- Innovated custom designed to use with exclusive proprietary designed modules at 90% optical efficiency.



## Application

In compliant to UL 1598 and CSA C22.2 NO. 250.0 standards as per UL file E351612. Suitable for indoor/outdoor wet (IP65) or damp location use.

## Ordering Guide

MODEL	CCT COLOR TEMP	NEMA BEAM SPREAD	INPUT VAC	MOUNTING OPTIONS	LIGHTING GLARE CONTROLS
<b>CM 400</b>	<b>CW</b>	<b>2</b>	<b>U</b>		
CM 400	5700K	2 = NEMA 2HX2V 3 = NEMA 3HX3V 4 = NEMA 4HX4V 6 = NEMA 6HX6V 7 = NEMA 7HX7V	U = Universal 110V to 277V	Y = Yoke CR = Cross Arm, SB2 PTS = Pole Top Slip fitter 2-2.5" pipe - SB5 CB = Clamp Bracket - SB3	V = Visor; 6.5" H6 = Hood, 6.5" Ht. 4CL = 4 cell cross lvr. 16CL = 16 cell cross lvr. HL = Hor. lvr. VL = Vert. lvr.

## Electrical Components

- LED Modules: Designed and manufactured for efficient heat management on aluminum metal core PCB board uses the latest high performance Philips Rebel ES LEDs (5700K, 70CRI), for the highest lumen efficacy and over 50,000 hours of illumination life.
- LED Configuration: 16 LED modules of 12 LEDs each (Total 192 LEDs, 380W).
- Lumen Output: From 31,000 to 33,000 Lumens depending on beam distribution; Lumen Efficacy: 81-87 lumens/Watt.
- LED Drivers: UL/CSA to meet UL 1598 (USR/CNR-E351612). Suitable for input power 400W maximum at 120-277VAC 50/60Hz.

## Tool-less Maintenance and Security

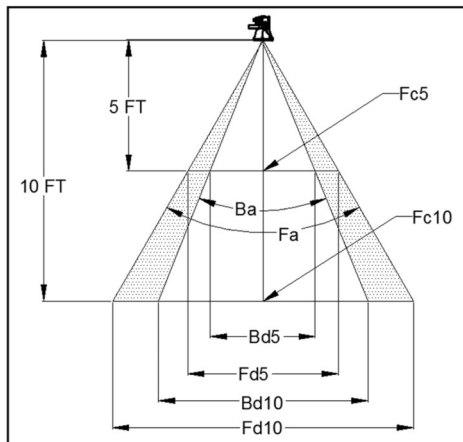
- LED and optical chamber is provided with tool-less access and lockable for quick, easy maintenance and security or prevention for vandalism.
- LED Driver and wiring/slicing compartment is provided with tool-less access and lockable for quick, easy maintenance and security or prevention for vandalism.

## Mounting

- Heavy duty yoke is made of Stainless Steel and electroplated. It is provided with mounting on horizontal or vertical surface depending on application. Also designed to aim and lock for two directions—aiming for horizontal and vertical angles.

## Photometric Application Data

Performance Values	NEMA 2HX2V	NEMA 3HX3V	NEMA 4HX4V	NEMA 6HX6V	NEMA 7HX7V
Cd-max	298,874	199,007	76,517	34,207	11,319
Maximum Center Fc @5 ft - Fc5	11,954.96	7960.28	3060.68	1368.28	452.76
Maximum Center Fc @10 ft - Fc10	2989	1990	765	342	113
Beam Angle @ 50% of Max. Fc - Ba degrees	14	16.5	37	50	110
Field Angle @ 10% of Max Fc - Fa degrees	31	38	52	100	152
Beam Diameter in feet @ 5 ft - Bd5	1.23	1.45	3.35	4.66	14.28
Field Diameter in feet @5 ft - Fd5	2.77	3.44	4.88	11.92	40.09
Beam Diameter in feet @10 ft - Bd10	2.46	2.90	6.59	9.33	28.56
Field Diameter in feet @10 ft - Fd10	5.55	6.89	9.75	23.83	80.19

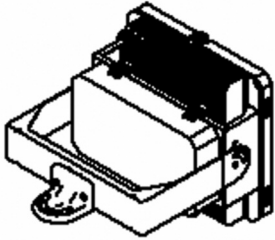


## Distance Multipliers (Adjusted from 10 ft values)

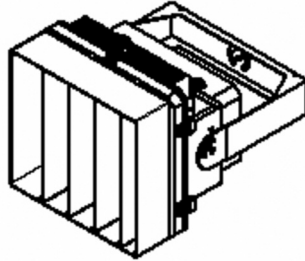
Distance in Feet	Multiplier for Beam or Field	Multiplier for Footcandle values
10	1.00	1.0000
15	1.50	0.4444
20	2.00	0.2500
25	2.50	0.1600
50	5.00	0.0400
75	7.50	0.0178
100	10.00	0.0100
150	15.00	0.0044

# Sirius-CM™ 400

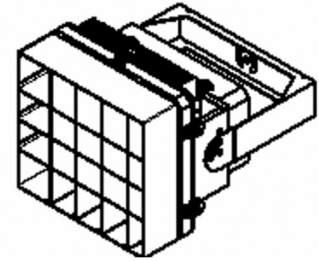
## Sirius-CM 400 Family



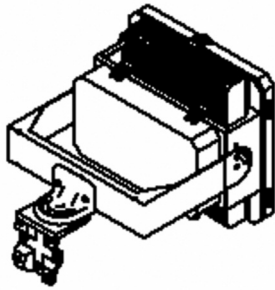
CR  
Shown with SB-2 mounting bracket



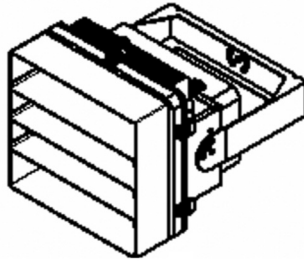
VL-Vertical Louver



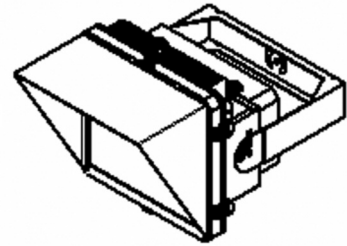
16CL-16 cell cross louver



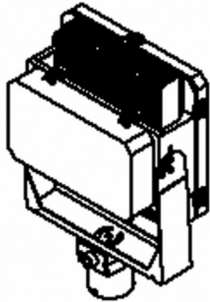
CB  
Shown with SB-3 mounting bracket



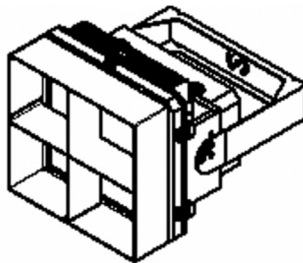
HL-Horizontal Louver



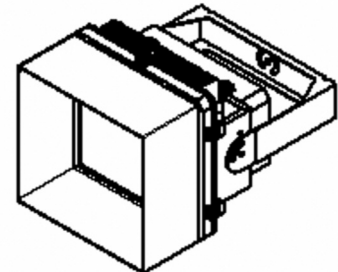
V-Visor



PTS  
Shown with SB-5 mounting bracket



4CL-4 cell cross louver



H-Hood