

Star Flood Wide (SFW)

(SFW)

Star Flood Wide Specification

Star Flood, NEMA heavy duty, wide beam rectangular weatherproof floodlight, shall accommodate a 150 to 400 watt mogul base high pressure sodium lamp or 175-400 watt mogul base metal halide lamp or 200-400 watt metal halide pulse start lamp. Available with (specify) 120, 208, 240, 277, 480 volt or 4MT (120, 208, 240, 277V) 60Hz ballast. The floodlight shall be completely pre-wired and factory assembled.

Basic Product Description

Cast aluminum ballast and lamp housing compartment contains thermally isolated wiring. Floodlight is finished in all weather brinze polyester powder coating. Floodlight shall include a sturdy two hole mounting yoke formed of high strength non-corrosive aluminum. Wiring compartment access through lens door. Adjustable knuckle 2" pipe (2- 3/8") mounting is available. All stainless steel hardware. The tempered clear glass lens is thermal shock and impact resistant.

Ballast Characteristics

The floodlight shall contain a U.L. recognized High Power Factor, constant wattage auto-transformer type ballast and start and operate the lamp down to -20°F (-30°C) for metal halide and -40°F (-40°C) for high pressure sodium. Mercury vapor lamps may be used in 400 watt metal halide fixtures. For availability of 220/240V 50Hz ballasts - consult factory.

Reflector Assembly

Cast hinged lens frame with silicone gasket provides easy front access to lamp. A precision formed anodized finished faceted reflector provides wide beam distribution.

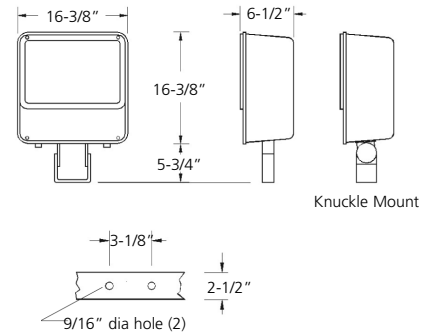
Suggested Applications

Building, automobile sales lot and general security lighting.



Suitable for wet locations
Lamp included

Effective Projected Area
EPA = 1.89 SQ. FT.
WEIGHT = 40 lbs Max.



Knuckle Mount

Accessories/Mounting Brackets, see
Accessory Page

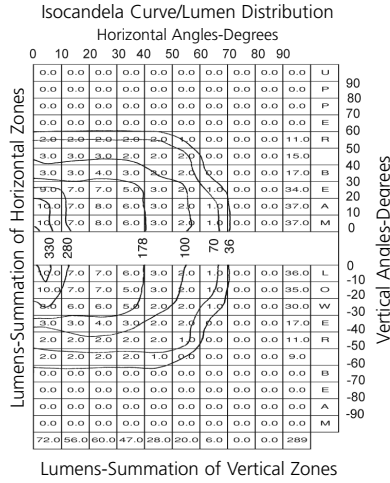
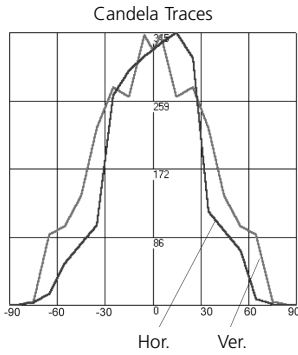


Ordering Example							
Unit SFW	Wattage 4	Photometrics W	Mounting 1	Lamp Style H	Voltage 208	Ballast Style H	
Star Flood	2 - 150 3 - 175 4 - 250 6 - 400 200 - 200PS 320 - 320PS 350 - 350PS 400 - 400PS	W - Wide Beam	1- Yoke Mount 4 - Knuckle Mount (factory installed)	LS - High Pressure Sodium H - Metal Halide	120 208 240 277 480 4MT (120, 208, 240, 277V) LB - Less Ballast*	H - High Power Factor	
				Accessories			
				RPC			
				SIF - Single Inline Fuse (120, 277v)			
				DIF - Double Inline Fuse (208, 240, 480v)			
				FB - Filter Breather			
				SC - Stainless Steel Safety Cable			
				RPC - Photocell Receptacle			
				PE - Photocell			
				3/14/350 - 3 ft. cord. for other length change 3' to length desired			
				UP - For aiming above horizontal			
CSA Certification - consult factory.							
*Consult factory							

OUTDOOR LIGHTING—Floodlighting—Star Flood Wide

Star Flood Wide (SFW)

Photometrics

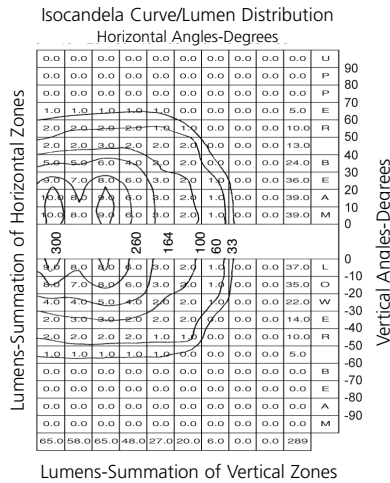
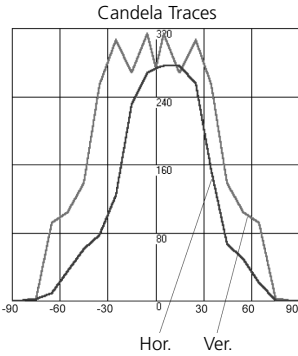


Fixture: SFW-6W1H
Lamp: 250 - 400 Watt Clear Metal Halide

IES Type	7H X 6V
Max Candela	345
Hor Field Angle (10%)	142.6 deg
Ver Field Angle (10%)	121.0 deg
Field Lumens	572
Field Efficiency	57.2%
Total Lumens	582
Total Efficiency	58.2%

Candela & Lumen values are based on 1,000 lamp lumens. For other lamp lumen ratings, multiply candela and lumen values by the number: Lumens divided by 1,000.

Per 1,000 Lamp Lumens



Fixture: SFW-6W1LS
Lamp: 150 - 400 Watt High Pressure Sodium

IES Type	7H X 6V
Max Candela	320
Hor Field Angle (10%)	143.5 deg
Ver Field Angle (10%)	121.6 deg
Field Lumens	560
Field Efficiency	56.0%
Total Lumens	571
Total Efficiency	57.1%

Candela & Lumen values are based on 1,000 lamp lumens. For other lamp lumen ratings, multiply candela and lumen values by the number: Lumens divided by 1,000.

Per 1,000 Lamp Lumens

