
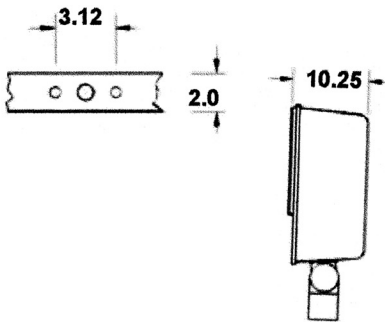
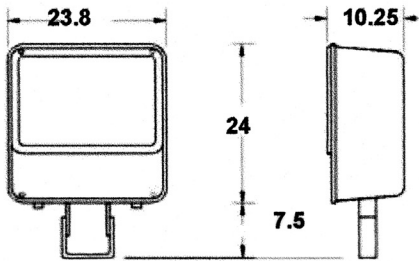


SFAQ Series



Lamp included
Suitable for wet locations 



A 1000W floodlight for general purpose floodlighting applications with a wide-beam distribution. Available with Yoke mount or adjustable knuckle for 2" pipe mount.

Housing

Die-cast aluminum construction with hinged door for easy servicing by loosening two stainless steel screws on the side opposite the hinges. Integral hinges with stainless steel pins enable the door to be easily removed. One-piece silicone gasket provides weather-proof and dust-tight operation.

Optics/Lens

Semi-specular anodized aluminum reflector provides smooth uniformity and can easily be removed by loosening two screws to gain access to ballast components. Tempered clear glass lens with silicone gasket is secured to door with ten (10) stainless side-mounted clips.

Electrical

Socket is mogul base porcelain 4kv pulse rated. HID ballast is 1000W high pressure sodium or metal halide core and coil, HPF, multi-tap voltage.

Optional Mounting

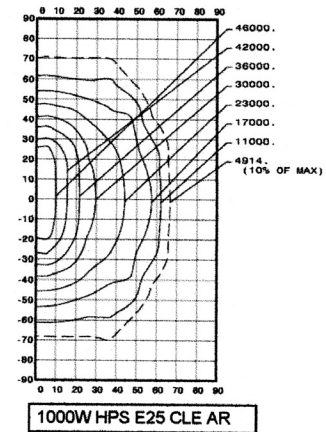
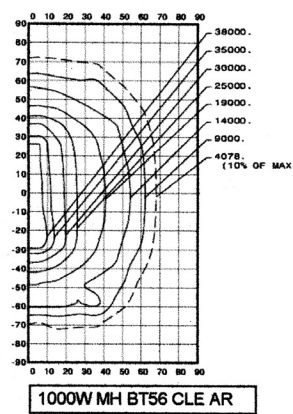
Knuckle Arm: Heavy duty die-cast aluminum assembly slips a 2" pipe (2-3/8" O.D.) tenon. Knuckle has angle indicators for ease of aiming.

Yoke: Heavy-duty formed aluminum yoke with two-hole mounting. Sturdy side bolts firmly secure fixture to yoke after aiming.

Finish

Standard finish is thermoset bronze powdercoating.

Photometrics



Ordering Example

Unit	Wattage	Photometrics	Mounting	Lamp Type	Voltage	Ballast
SFAQ	8	5	1	H	4MT	H
Star Flood	8 - 1000W	5 - Type 5	1 - Yoke Mount 4 - Knuckle Mount	H - Metal Halide LS - High Pressure Sodium	4MT 120, 208, 240, 277	H - HPF

