

Architectural Flood

RAF5

Construction

HOUSING die-cast aluminum, heavy duty, structurally rigid and vibration resistant; charcoal gray, polyester powder coat finish. Other optional other finishes are available.

LENS DOOR ASSEMBLY: Minimum 1/8" thick tempered glass lens, thermal and impact resistant, sealed with doorframe and housing using extruded, memory retentive silicone gasket. The door frame is die-cast aluminum

Optical System

Optical system is a one piece precision die formed aluminum and finished to specular mirror surface ; designed for high performance controlled beam and low glare.

Electrical Components

LAMPHOLDER shall be glazed porcelain mogul base with spring loaded center contact; Nickel plated copper screw shell with anti-vibration grip. Rated 4KV, 600V.

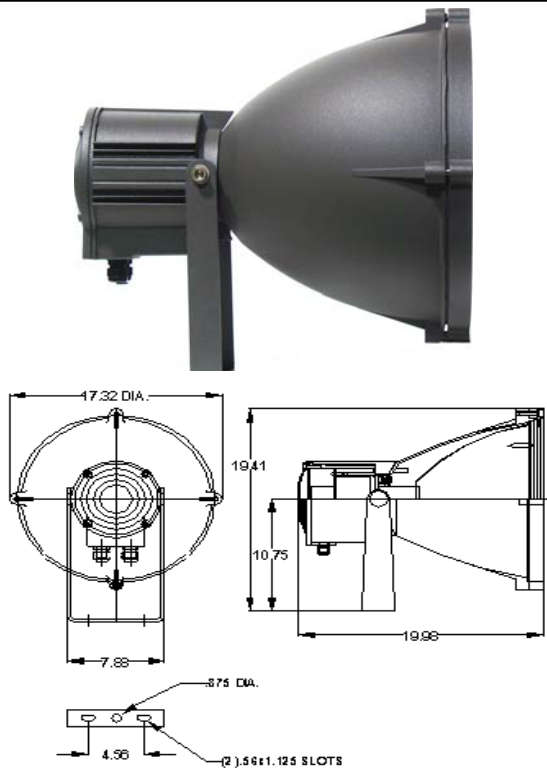
BALLAST shall be high power factor with reliable lamp starting temperature below -40°F for HPS and -20°F for MH. Ballast coil windings are copper with class H insulation.

Mounting

Heavy duty yoke is provided with (2) 0.437 dia. Holes to mount on horizontal or vertical surface depending on application. Also sealed type water resistant cable is provided for the supply connections. The cable is rated for outdoor use.

Listings

ETL listed and certified for UL 1598 and CSA C22.2 NO 250.0 standards. Suitable for indoor/outdoor use.



RAF5-631H—400W MH—Narrow

IES NEMA Type	3 H x 3 V
Maximum Candela	159008
Maximum Candela Angle	3H -1V
Horizontal Beam Angle (50%)	17.6
Vertical Beam Angle (50%)	10.7
Horizontal Field Angle (10%)	42.7
Vertical Field Angle (10%)	36.1
Total Rated Lamp Lumens	33000
Beam Lumens	4852.58
Beam Efficiency	14.70%
Field Lumens	15568.5
Field Efficiency	47.18%
Total Lumens	22237.84
Total Efficiency	67.39%

ORDERING GUIDE

MODEL	WATTAGE	OPTICS	MOUNTING	LAMP TYPE	LAMP STYLE	INPUT VOLTAGE	BALLAST TYPE	OPTION
RAF5	250 PS	NARROW	YOKE	PS - PS MH	T15	MT - Multi Volt	H - C&C	HS - House Side Shield
	320 PS	MEDIUM			ED28	120 - 120V	E - ELECTRONIC	SIF - Single Inline Fuse
	350 PS	WIDE				208 - 208V		DIF - Double Inline Fuse
	400 PS					240 - 240V		PE - Photo Cell
	250 HPS			LS - HPS	ED18	277 - 277V		PL - Polycarbonate Shield
	400 HPS					347 - 347V		
						480 - 480V		

2150 Parkes Drive, Broadview, Illinois, 60155. Phone: (708) 681-4330;

Fax: (708) 681-4006

Web Site: www.nslights.com

REV.3-23-10

