

### Construction

HOUSING die-cast aluminum, heavy duty, structurally rigid and vibration resistant; charcoal gray, polyester powder coat finish. Other optional other finishes are available.

LENS DOOR ASSEMBLY: Minimum 1/8" thick tempered glass lens, thermal and impact resistant, sealed with doorframe and housing using extruded, memory retentive silicone gasket. The door frame is die-cast aluminum

### Optical System

Optical system is a one piece precision die formed aluminum and finished to specular mirror surface ; designed for high performance controlled beam and low glare.

### Electrical Components

LAMPHOLDER shall be glazed porcelain mogul base with spring loaded center contact; Nickel plated copper screw shell with anti-vibration grip. Rated 4KV, 600V.

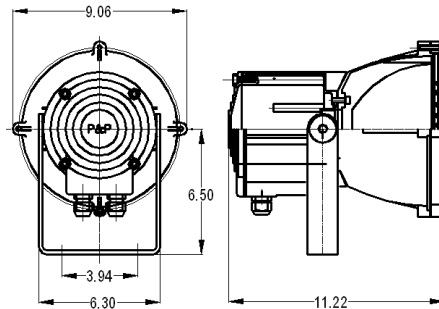
BALLAST shall be high power factor with reliable lamp starting temperature below -40°F for HPS and -20°F for MH. Ballast coil windings are copper with class H insulation.

### Mounting

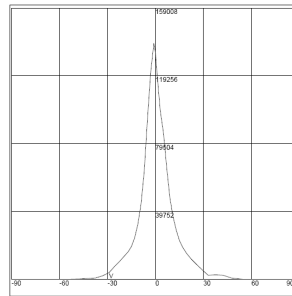
Heavy duty yoke is provided with (2) 0.437 dia. Holes to mount on horizontal or vertical surface depending on application. Also sealed type water resistant cable is provided for the supply connections. The cable is rated for outdoor wet or damp location use.

### Listings

ETL listed and certified for UL 1598 and CSA C22.2 NO. 250.0 standards. Suitable for indoor/outdoor wet or damp location use.



### PHOTOMETRIC DATA



Maximum Candela = 15000 Located At Horizontal Angle = 3, Vertical Angle = -1  
\* - Vertical Axis Candela

### RAF3-10031H-MED 100W MH Narrow Spot

IES NEMA Type	2 H x 2 V
Maximum Candela	86857.2
Maximum Candela Angle	0H 0V
Horizontal Beam Angle (50%)	12.3
Vertical Beam Angle (50%)	12.1
Horizontal Field Angle (10%)	22.0
Vertical Field Angle (10%)	21.6
Total Rated Lamp Lumens	8500
Beam Lumens	2026.73
Beam Efficiency	23.84%
Field Lumens	3815.74
Field Efficiency	44.89%
Total Lumens	5554.43
Total Efficiency	65.35%

### ORDERING GUIDE

MODEL	WATTAGE	OPTICS	MOUNTING	LAMP TYPE	LAMP STYLE	INPUT VOLTAGE	BALLAST TYPE	OPTION
RAF3	- 100	3	1	H	- MED	- 120	E	- DMX
RAF3	32 - 32W	3 - Narrow	1 - Yoke	H - MH	MED - MED. BD17/ED17/ T10	MT - Multi Volt	H - C&C	V - Visor
	35 - 35W	4 - Medium		LS - HPS		120 - 120V	E - ELECTRONIC	H - Hood
	39 - 39W	5 - Wide				208 - 208V	(120-277V only)	CRL - Con. Ring Lvr.
	50 - 50W					240 - 240V		CFX - Color Filter
	70 - 70W					277 - 277V		"x" specify color
	100 - 100W	FOR LED CONSULT FACTORY				347 - 347V		DMX - DMX for LED
						480 - 480V		



**Construction**

HOUSING is die-cast aluminum, heavy duty, structurally rigid and vibration resistant. Housing is finished charcoal gray using polyester powder coat. Other optional finishes are available.

LENS DOOR ASSEMBLY: Minimum 1/8" thick tempered glass lens, thermal and impact resistant, sealed with doorframe and housing using extruded, memory retentive silicone gasket. The doorframe is die-cast aluminum.

BASE HOUSING is die-cast ALUMINUM. It is an enclosure for the electrical components. Housing/lens door assembly is separated by a shaft.

HEATSINK is 1/2" thick aluminum with maximum contact with die die-cast housing for efficient heat dissipation and cooler operation for the LED engine for the long life operation..

**Optical System**

Optical system is available for narrow(10-degree), Medium (30-degree) and wide (45-degree) beam. For 12-Atlas LED engines optics provided for narrow flood (NF) or medium flood (MF) or wide flood (WF). Please specify.

**Electrical Components**

LED ENGINE: Lamina ceramic 9-Atlas (60W) or 12-Atlas (85W) or 2-Titan (60W). Available in warm or natural day light color or RGB for color changing programmable with DMX-512 interface.

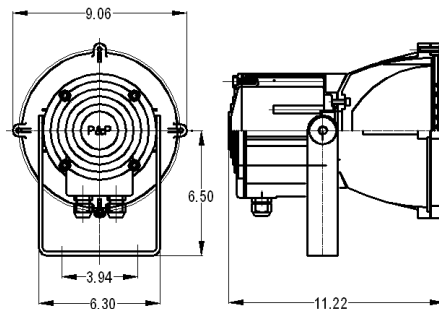
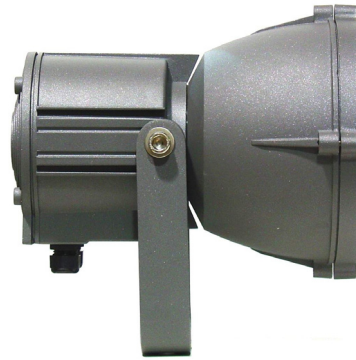
**Mounting**

The base can be mounted on horizontal (ground, pedestal, or post) or vertical (wall) surface. The power supply connection can be made inside the base housing. Also available with junction box mounting without base (LB) and remote ballast to drive up to 4- units.

**Listings**

ETL listed and certified for UL 1598 and CSA C22.2 NO. 250.0 standards. Suitable for indoor/outdoor wet or damp location use.

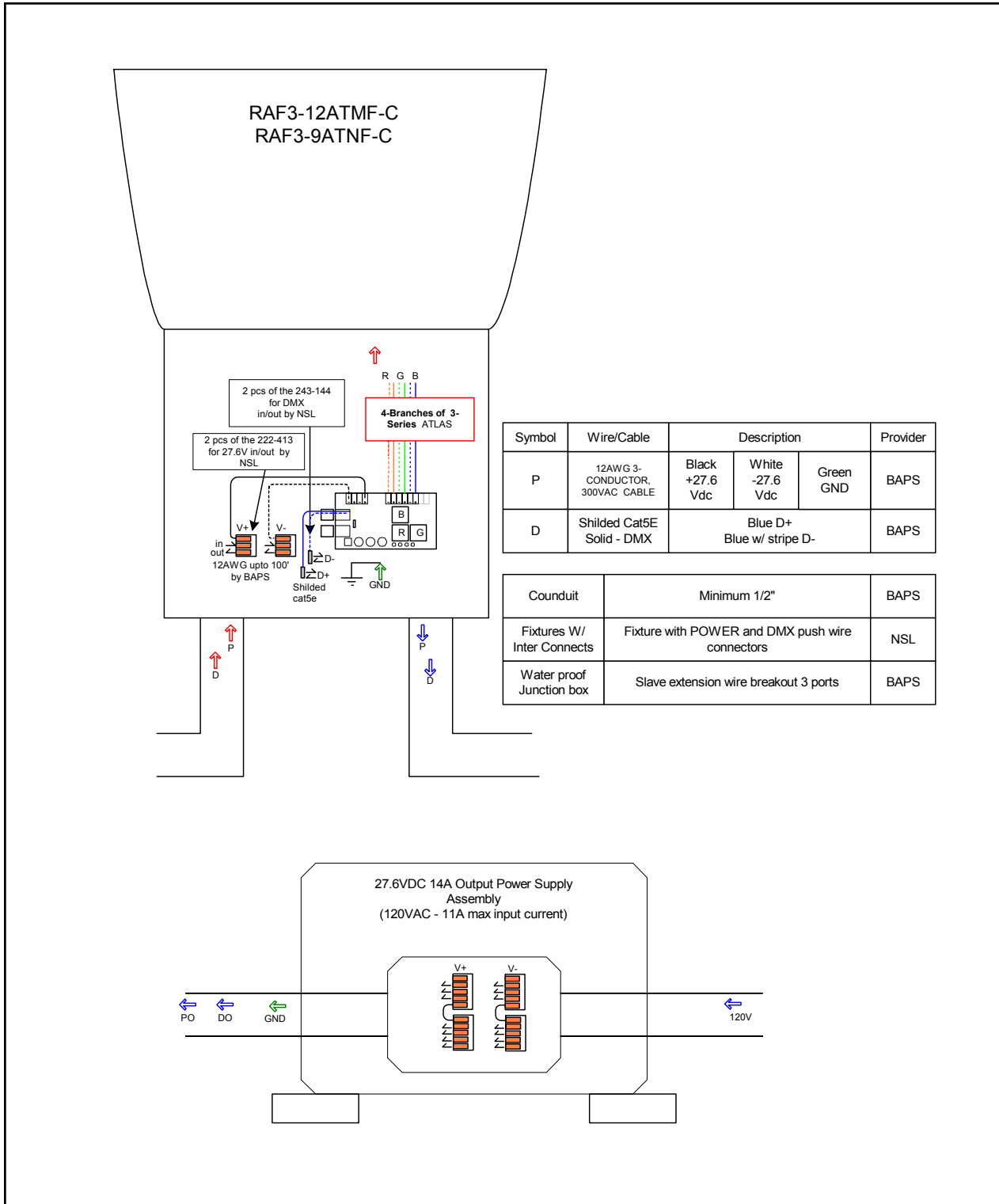
**\*\*\* Consult factory for large network integration allowing master slave configuration for sharing drivers to multiple LED engines and DMX interface.**



**ORDERING GUIDE**

MODEL	NO OF LED	LED TYPE	BEAM SPREAD	RGB or White	OPTION
RAF3	9	AT	MF	C	
RAF3 - Basic Model	2 = Two Titan	TN = Titan	NF = Narrow Flood (Atlas only)	C = RGB Color Changing	Blank = NO option
RAF3M = Master with controller	9 = Nine, Atlas	AT = Atlas	MF = Medium Flood	W = White	V = Vertical Spread Lens
RAF3S = Slave, share controller	12 = Twelve, Atlas		WF = Wide Flood		H = Horizontal Spread Lens
					XF = Special Finish





North Star Lighting Inc

