

ARCHITECTURAL WALL MOUNT SERIES



 North Star Lighting, Inc.

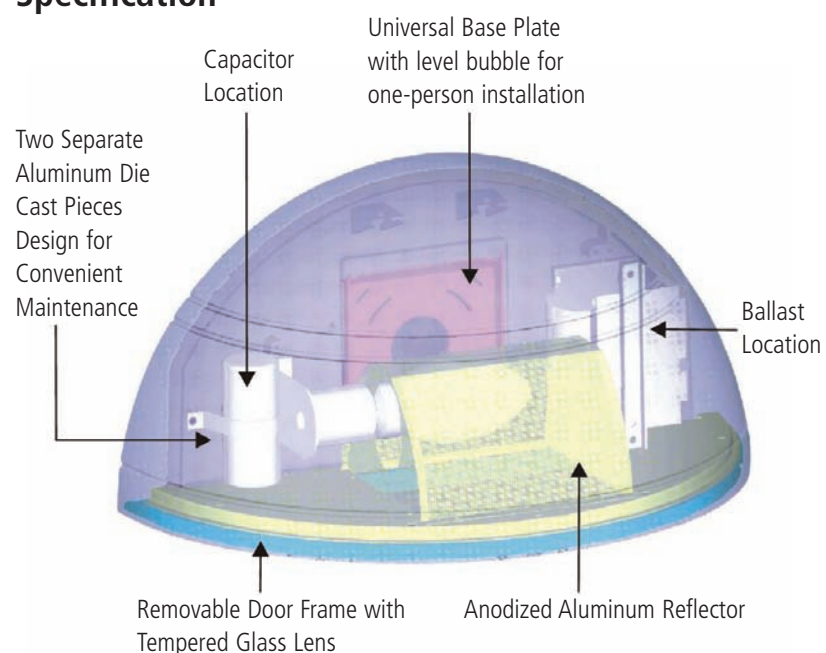
ARCHITECTURAL WALL MOUNT SERIES (AWMQS)

Quarter Sphere Shape

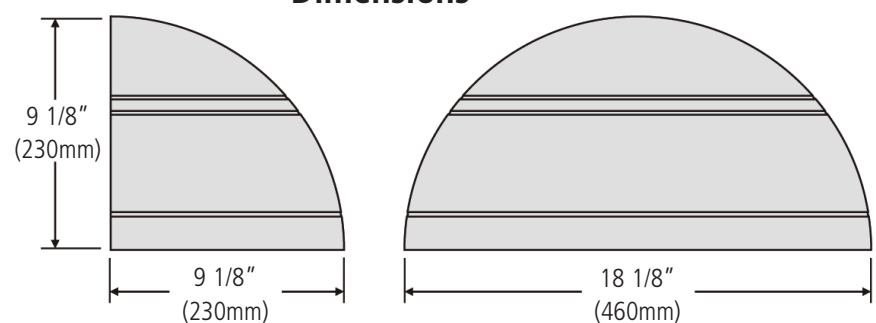
General Specifications

- UL listed for wet location.
- IMB (Intelligent Mounting Bracket), easy one-person installation, features a universal mounting plate standard with level device for accurate installation.
- Two piece heavy duty die cast housing.
- Heat and Impact resistant tempered glass lens.
- Dark bronze powder coat paint finish standard. Custom colors available on request.
- Silicone rubber gasket included.
- One piece anodized aluminum reflector for optimum efficiency.
- Max 175W for MH and 150W for HPS. CFL 26, 32, 42W
- Stainless Steel external hardware.
- Two different light distributions: Forward Throw and Wide Throw.

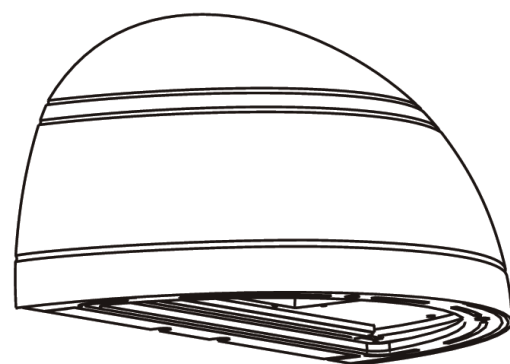
Specification



Dimensions



Line Drawing (AWMQS)



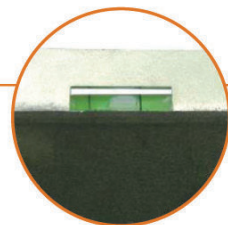
Installation Instructions

Unlike other fixtures which require more than two people to install, our IMB (Intelligent Mounting Bracket) helps you to save time and money.

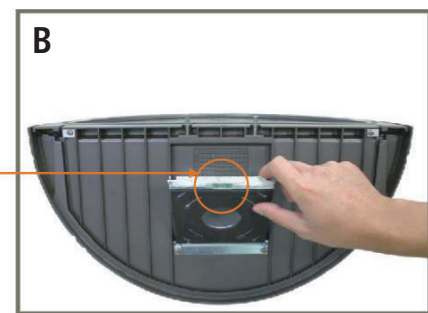
With its light, small and user friendly bracket, you can install this fixture easily with only one person. Meanwhile, you can check the leveling by using the integrated level bubble on the mounting bracket.



A
Uninstall the mounting bracket from fixture base plate by unscrewing the 2 hex socket studs.



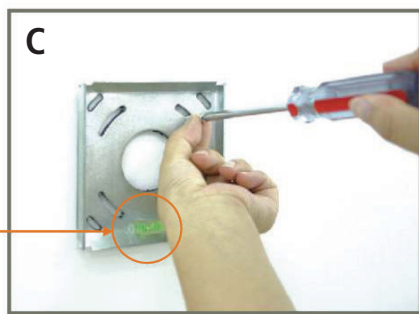
Leveling Device



B
Remove the mounting bracket.



Leveling Device



C
Level the bracket to intended height, install the bracket on the wall.



D
Lift the fixture up and tilt slightly toward the wall mounted bracket as shown in figure D, hook the fixture base plate with the mounting bracket.

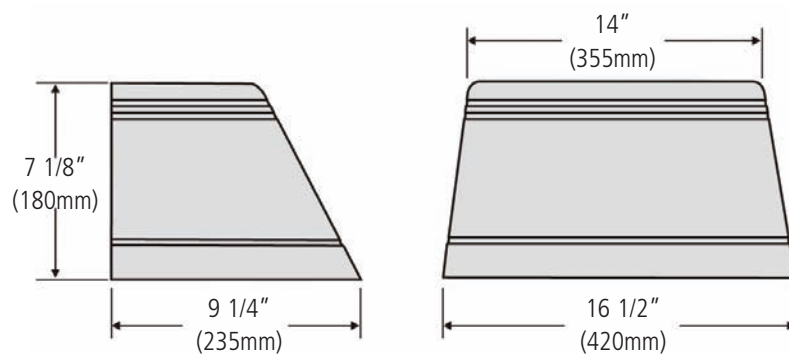


E
Tighten screws.

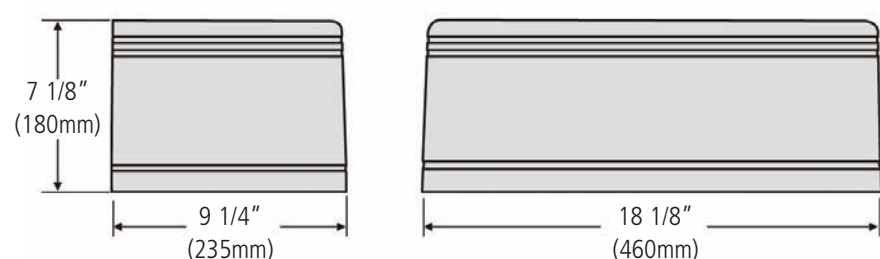
AWMT



Dimensions



AWMHM

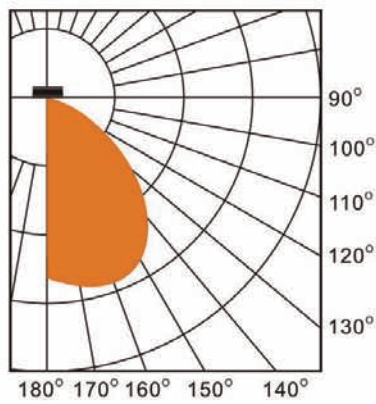


Three Optical Systems

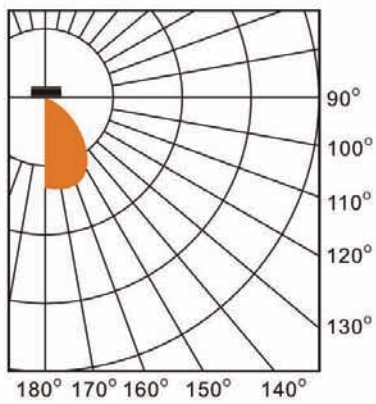
North Star architectural luminaires are engineered to sustain a lifetime of tough environmental conditions.

The architectural wall mount series provides three optical solutions to cover all your lighting requirements.

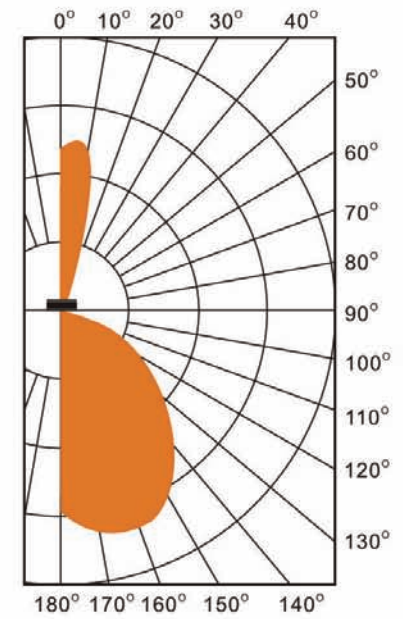
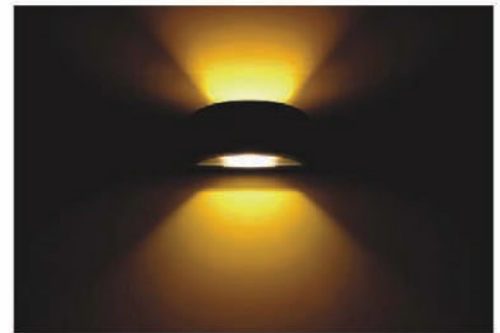
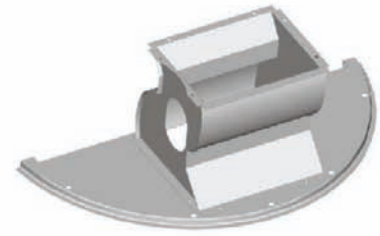
Forward Throw (FT)



Wide Throw (WT)



Up & Down (U&D)



REFLECTOR	AWMT	AWMQS	AWMHM
Forward Throw (FT)	●	●	●
Wide Throw (WT)	●	●	●
Up & Down (U&D)			●

 North Star Lighting, Inc.

2150 Parkes Drive
 Broadview, Illinois 60155
 P: 708.681.4330 F: 708.681.4006
www.nslights.com