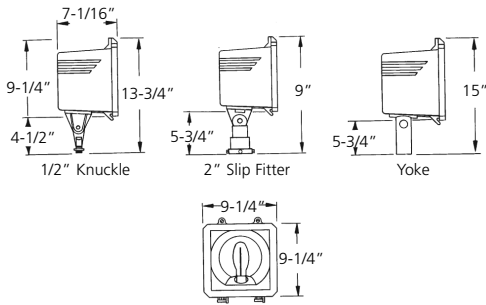


Arc Mite (AM)



Suitable for wet locations
Lamp included

Effective Projected Area
EPA = 0.59 SQ. FT.
WEIGHT = 14-18 lbs



Accessories/Mounting Brackets, see
Accessory Page

Arc Mite Specification

Arc Mite is a compact floodlight ideal for landscape lighting, security and building facade applications. Available in 50 to 150 watt high pressure sodium lamp, or 50 to 175 watt metal halide lamp. Available with 120, 208, 240, 277 volt, or 4MT (120,208, 240,277V) 60Hz ballast. Luminaire shall be completely pre-wired for ease of installation.

Basic Product Description

One piece die cast aluminum lamp and ballast housing and removable die cast lens frame. Arc Mite is finished in all weather bronze polyester powder coating. A 1/2" threaded knuckle or 2" slip fit knuckle, and yoke mounting is available. Porcelain socket, nickel plated screw shell with lamps grips and spring loaded center contact eliminates lamp loosening. All stainless steel hardware.

Ballast Characteristics

Three types of U.L. recognized ballasts are available. Normal Power Factor (NPF), High Power Factor (HPF) in 120 volt only, and High Power Factor High Reactance (HPF-HX) auto-transformer in all voltages. Will start lamps at -20°F (-30°C) for metal halide and -40°F (-40°C) for high pressure sodium. Mercury vapor lamps may be used in watt metal halide fixtures. For availability of 220/240V 50Hz ballasts - consult factory.

Reflector Assembly

The combination of a one piece hydroformed anodized aluminum reflector and a tempered clear glass lens provides a NEMA 3 medium or NEMA 6 wide beam distribution.

Ordering Example

Unit AM	Wattage 0	Photometrics 5	Mounting 1	Lamp Style LS	Voltage 120	Ballast Style N
Arc Mite	50	3 - Nema 3	1 - Yoke Mount	H - Metal Halide	120	N - Normal Power
	0 - 70	6 - Nema 6	4 - 2" Slip Fitter	LS - High Pressure Sodium	208	Factor
	1 - 100		5 - 1/2" Knuckle		240	H - High Power
	2 - 150				277	Factor
	3 - 175				4MT (120, 208, 240, 277V)	

Accessories

- PE
- V - Visor (top)
- G - Wire Guard
- PL - Vandal Resistant Polycarbonate Shield
- PBL - Parallel Blade Louvre
- PE - Photocell
- GS - Glare Shield
- SIF - Single Inline Fuse (120, 277V)
- DIF - Double Inline Fuse (208, 240, 480V)
- UP - For aiming above horizontal

CSA Certification - consult factory.

Note: Only 1 accessory per fixture



