

# AFGS Series

A floodlight for general purpose floodlighting applications with a wide-beam distribution. Available with 1/2" N.P.T. with an adjustable knuckle.

### Housing

Die-cast aluminum construction with hinged door for easy servicing by loosening two stainless steel screws on the side opposite the integral hinges. One-piece silicone gasket provides watertight and dust-tight operation.

### Optics/Lens

Semi-specular anodized aluminum provides smooth uniformity and can easily be removed by loosening two screws to gain access to ballast components. Tempered clear glass lens with silicone gasket is secured to door with four (4) stainless side-mounted clips.

### Electrical

Socket is mogul base porcelain 4kv pulse rated. HID ballast is up to 150W/175W high pressure sodium or 50W-175W metal halide core and coil, NPF or HPF.

### Mounting

**Knuckle Arm:** Heavy-duty die-cast aluminum arm has 1/2" threaded end (N.P.T.) for easy mounting to standard J-boxes or mounting plates. Adjustable knuckle arm with serrated teeth and stainless steel locking bolt insures aiming is locked.

### Finish

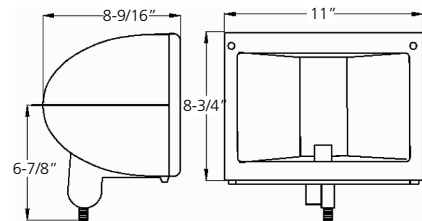
Standard finish is thermoset bronze powder coating.



Suitable for wet locations  
Lamp included



GS



### Photometrics

#### Photometry Data

**175W MH ED17**

Beam Type

6H x 6V

#### Beam @ 50% Max. Candela

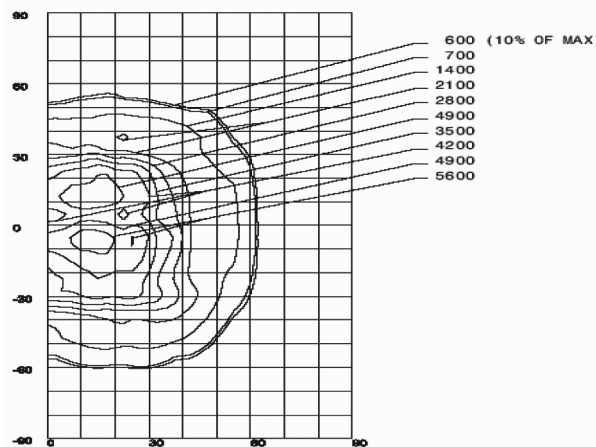
Spread  
Efficiency  
Lumens

78H x 64V  
41.80%  
5846

#### Field @ 10% of Max. Candela

Spread  
Efficiency  
Lumens  
Maximum Candela  
Total Lumens

124H x 115V  
64.20%  
8994  
5995 @ 11H x 5V  
9206



### Ordering Example

Unit	Photometrics	Mounting	Wattage	Lamp Type	Voltage	Ballast	Finish	Options
AFGS	5	5	50	H	120	H	BZ	GS
Architectural Floodlight	5 - Wide Flood	5 - 1/2" NPT Knuckle Mount	50-50W 70-70W 100-100W 150-150W 175-175W	H - MH LS - HPS	120 208 240 277 4MT	H - HPF N - NPF	BZ - Bronze	GS - Glare Shield PG - Polycarbonate Guard

