

Architectural Design Square (ADS) Incandescent



Lamp included 

Architectural Design Specification

Architectural Design Square series offers an excellent selection of accent luminaires which will compliment and also maintain the proper perspective of any type of building construction. Available in 120 watt maximum ER40, 150 watt maximum R40, or 150 watt maximum PAR38 incandescent lamp. Luminaire shall be completely pre-wired for ease of installation.

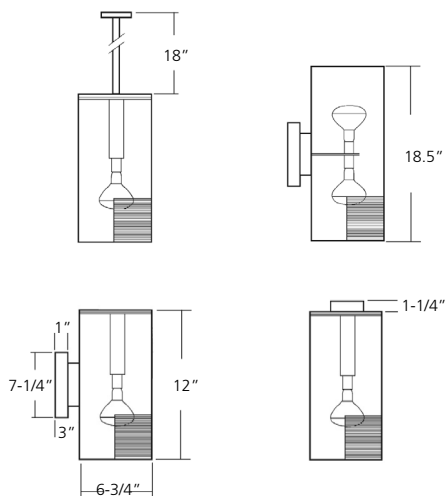
Basic Product Description

Heavy duty one-piece extruded aluminum housing is finished in an all weather polyester powder coating. Standard colors include: bronze, black, white and silver (optional colors available). Luminaire is available for pendant, ceiling, or for wall mounting applications. Pendant assembly supplied with 18" stem (optional lengths available). Socket housing contains a high-quality medium base porcelain socket with a brass nickel plated screw shell. Mounting hardware is heavy duty and sized to safely support and compliment the overall appearance of each assembly. To assure safe delivery, luminaire and mounting hardware are shipped in one carton. Luminaire is U.L. listed for damp location (wall mounted luminaire with clear or prismatic glass lens shall be suitable for wet locations).

Suggested Applications

Accent illumination of building facades, shopping centers, malls, hotels, condominiums, office complexes, entrances; interior or exterior.

Incandescent



Notes:

ADS-TR-Tamper Resistant Hardware Kit.
Spanner head screws and bit. (order separately)

Ordering Example						
Unit	Wattage	Mounting	Downlight Trim	Uplight/Downlight	Finish	
ADS	INC.	58	CO	UD	BK	
Architectural Design Square	INC	57- Pendant Mount 58 - Ceiling Mount 59 - Wall Mount 57S - Swivel Mount: 20° swing from vertical	OD - Open Down Light BB - Black Baffle FL - Clear Glass Lens CO - Prismatic Glass Lens	OU - Open Uplight FL - Clear Glass Lens CO - Prismatic Glass Lens	BK - Black BZ - Bronze SL - Silver WH - White (optional colors available)	
CSA Certification - consult factory.		When ordering incandescent with uplight option, specify trims for uplight and downlight.				

Architectural Design Square (ADS) Incandescent

Photometrics

